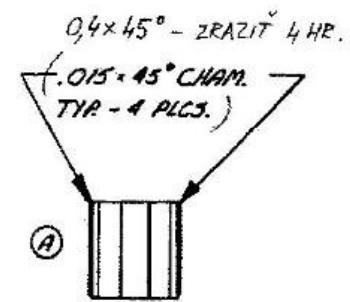
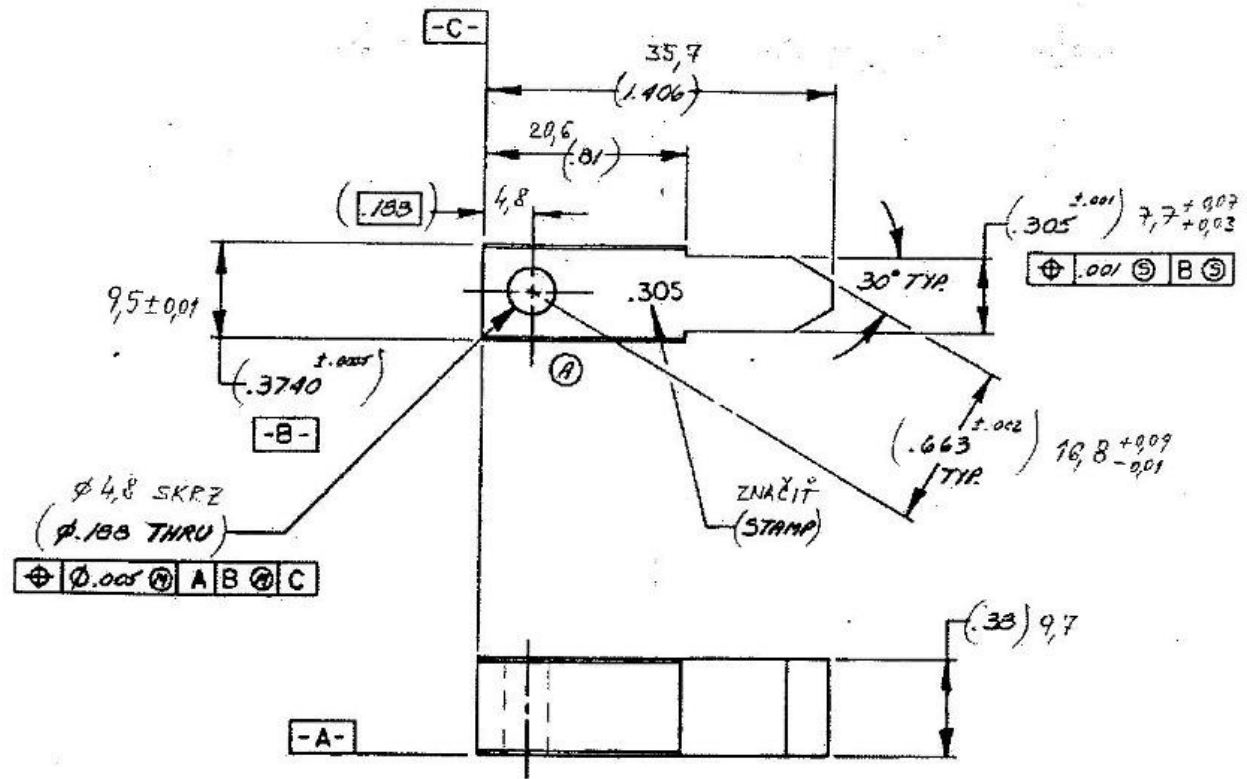


H44-1706-3508

TOL. UNLESS OTHERWISE SPECIFIED	
1 PLACE DEC. 2.01	ANGLE ± 30 MIN.
2 PLACE DEC. 2.000	METRIC

NOTES (DESIGNATED TOLERANCES SUPERSEDE SYL GENERAL NOTE SPEC V44-1700-38)			
1	ALIGNMENT	2	CONC.
3	PARALLEL	4	SQUARE
5	FLAT	6	STRAIGHT
7			



DISPOSABLE COPY
DESTROY AFTER USE

Plati od - 8-12-2008
Podpis *Gulbe*
bez protokolu

NOTE:
UNLESS OTHERWISE SPECIFIED THIS DWG.
WILL BE PER ANSI Y14.5 M-1982

MAT: SK-TYC

REVISIONS				REQ.	ASSEMBLY	ITEM	MATL. LIST	REMARKS
RV	DATE	CHA. ORD. NO.	RV	DATE	CHA. ORD. NO.			
A	1/91	491-7						
MATERIAL C2 CARBIDE				DRAWN DL		EQUIPMENT		
				CHK.		PART		
				SCALE 2X		CENTER ANVIL (.305)		
				DATE 11/90				
								H44-1706-3508