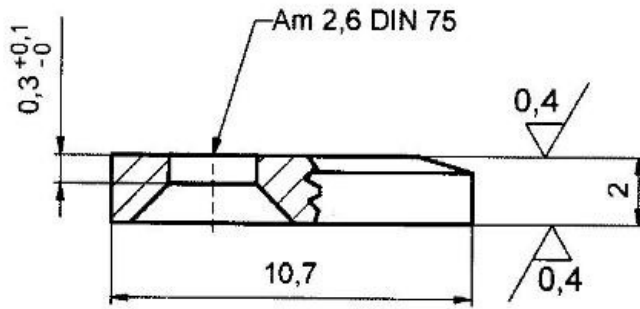
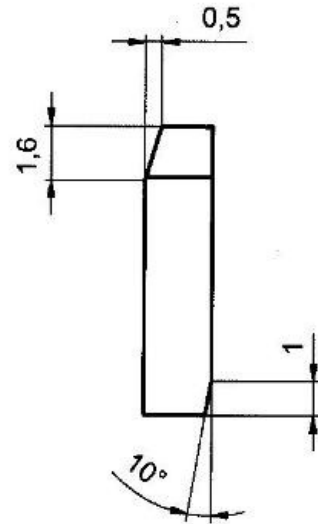
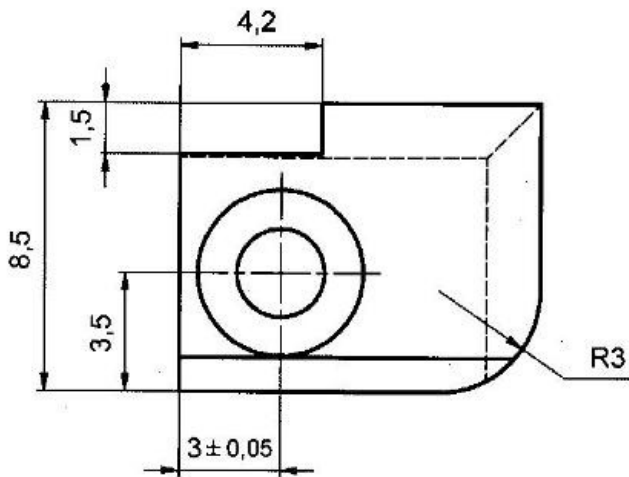


3,2/ (✓)



M 1:1



KALENÉ 62± 2 HRC

1				3x10-12				1.4721		1	
Qty				Description				Standard		Material	
Tolerance ISO 8015				to 6 ± 0,1				Title		Scale	
General tolerance				from 6 to 30 ± 0,2				VODIACA LISTA STISKU		5:1	
ISO 2768 - m H				from 30 to 120 ± 0,3							
Date				Name							
Drawn				5.1.2006				GUBÓ R.			
Checked											
Approved								p. Baran			
Old DWG											
Index				Changes				DWG No		Size	
Date				Name				ZA 42-11.2.3		A4	
Type				Group				Sheet		Of	