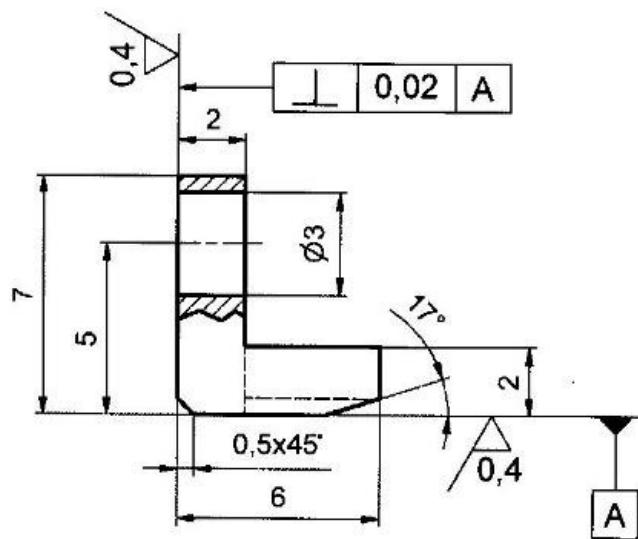
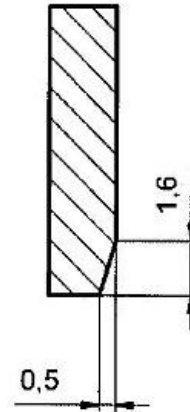
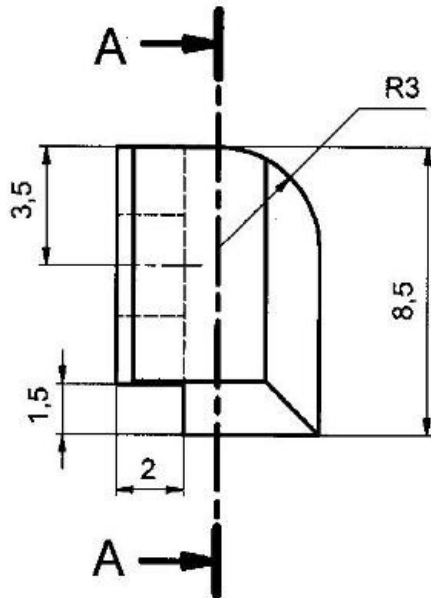
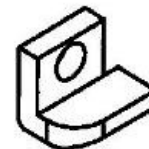


3,2 / (✓)



M 2:1



KALENÉ 55± 5 HRC

1	4HR 8-12				1.4721		1
Qty	Description	Standard	Material	DWG No	Item		
Tolerance ISO 8015	to 6 ± 0,1	Date	Name	Title	Scale		
General tolerance	from 6 to 30 ± 0,2	Drawn	GUBÓ R.	VODIACA LISTA STISKU 2	5:1		
ISO 2768 - m H	from 30 to 120 ± 0,3	Checked					
		Approved	p. Baran				
		Old DWG					
		DWG No	ZA 42-11.2.4		Size	A4	
Index	Changes	Date	Name	Type	Group	Sheet	Of